

VOICE GUARD

PORTABLE VOICE PLAY
ALARM SYSTEM

MANUAL

VOICEGUARD – PORTABLE VOICE PLAY SPOT ALARM USER MANUAL

Doorbell Pairing:

Make sure volume is up on unit.
Hold in doorbell button till you hear a long beep;
Activate / trigger sensor, the arm / disarm light will come on, now paired;
Push doorbell button to confirm light goes off.
To change tune on doorbell push Multifunction key on side of unit and then pair sensor.

Program Voice Message: (Program messages before pairing sensors)

Press Multifunction Key until light flashes on Arm / Disarm button;
Press and hold zone 1 until you hear 1 beep;
Light flashes, now ready to record message;
To hear message press zone 1 button;
Press Multifunction key to exit recording mode;
Same process for zone 2 and 3

Program Sensor / Door Contact, etc:

Press and hold zone 1 till you hear a beep;
Trigger sensor;
You will hear a beep sound which means sensor is programmed:
Same process for zone 2, 3 and 4

To clear Doorbell:

Hold in doorbell button till light comes on;
Press again doorbell button – hold in till you hear 1 beep;
Now clear.

To clear Zones:

Hold long press zone button – 1st beep let go;
Push zone button again – after long beep, push zone button off;
Now cleared.

Low Battery:

All 4 zone lights will come on, please change batteries asap.

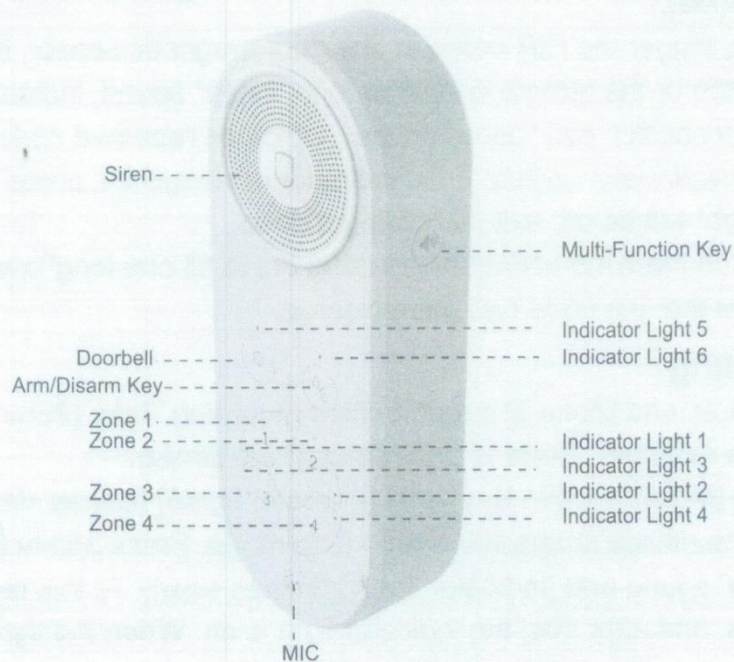
How to change from Voice to Alarm Sound:

Using arm / disarm button push button to hear;
1 beep – alarm sound;
2 beeps – voice recording.

Features

- Support customer voice recording;
- 4 wireless zones and 1 doorbell zone;
- Doorbell support 1 indoor panel pair with many buttons; and One button can be paired into many panels also;
- Support 32 doorbell music switching;
- Support up to 10 wireless detectors per zone;
- Built-in 3 AAA batteries;
- 5-levels volume switching;
- Low power alarm;
- Sound and light, vibration reminder, magnetic installation.

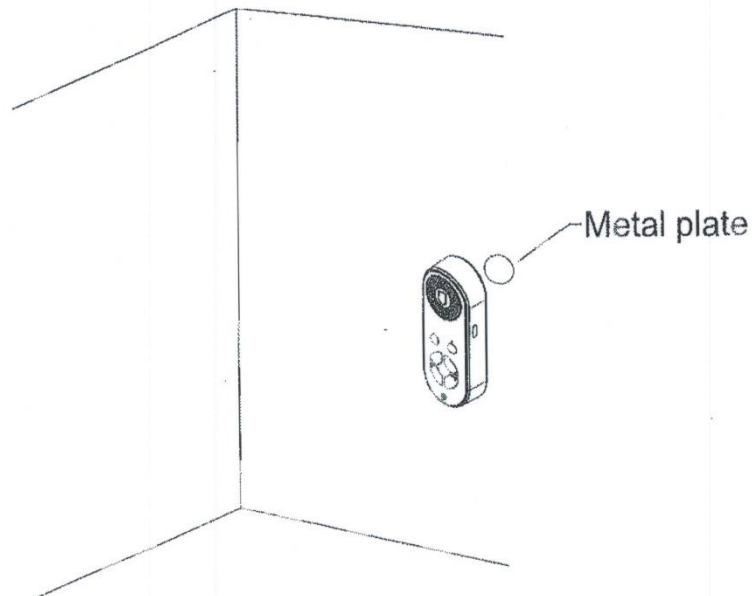
Product learning



Multi-Functional Portable Voice Play Spot Alarm

Fix magnetic iron part on the wall:

1. Fix magnetic iron part on the flat and clean wall
2. The device is magnetically attracted to the iron plate.



The alarm device is magnetically attracted to the refrigerator door or carried in your pocket.

When you need to replace the battery, slide the battery back cover to replace the battery.

